

4

3

2

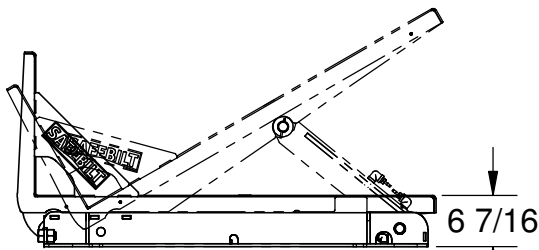
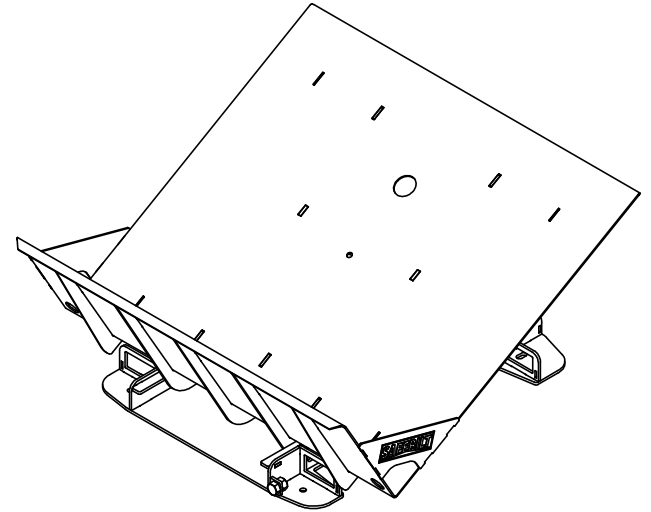
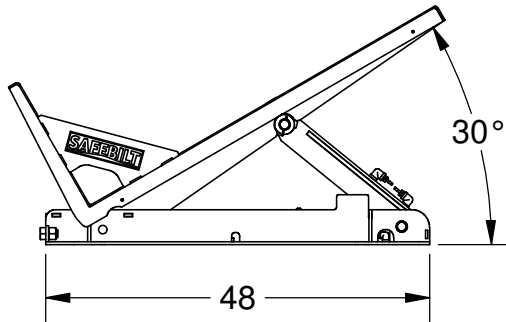
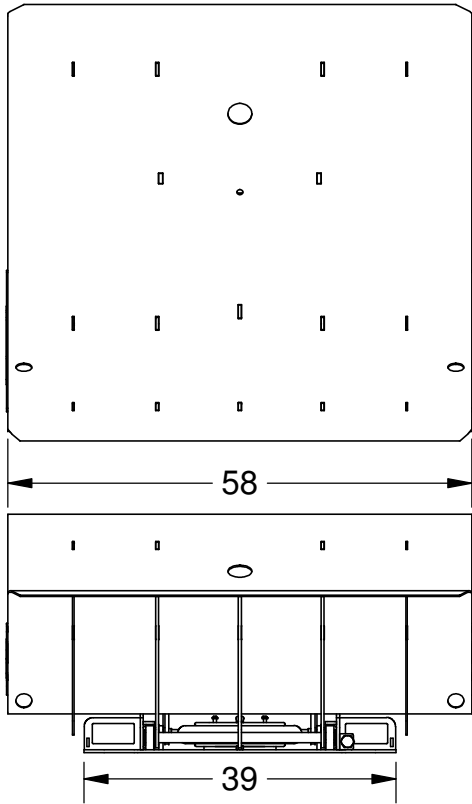
1

REVISIONS

ZONE	REV.	DESCRIPTION	DATE	REV. BY
------	------	-------------	------	---------

**SPECIFICATIONS:**

- TILT CAPACITY: 4000 LBS (1814 kg)
- BASE SIZE: 38 - 15/16" X 48" (989 X 1220 mm)
- TOP SIZE: 58" X 50" (1473 X 1270 mm)
- DOWN HEIGHT: 6 7/16" (164 mm)
- TILT ANGLE: 30 DEGREES
- LAG DOWN: 4X 7/8"
- AIR REQUIREMENTS: 80 psi @ 30 SCFM
- AIR INLET: 1/2" HOSE BARB



NOTE: DIMENSIONS ARE FOR REFERENCE ONLY, TOLERANCE BLOCK DOES NOT APPLY

DISCARD ALL DRAWINGS AND/OR BILL OF MATERIALS ISSUED PRIOR TO

12/24/2014

USE PRINT WITH THE LATEST DATE FOR PRODUCTION

ENGR. APPROVAL \_\_\_\_\_

UNLESS OTHERWISE SPECIFIED DIMENSIONS ARE IN INCHES TOLERANCES ARE:

FRACTIONS: ± 1/16  
 DECIMALS: .XX ± .03  
 ANGULAR: .XXX ± .010  
 ± 1°

DO NOT SCALE DRAWINGS

WORK ORDER #		ROUTING
		A
DRAWN	SRF	6/19/13

THIS DRAWING CONTAINS INFORMATION PROPRIETARY TO ALIGN PRODUCTION SYSTEMS LLC AND SHALL NOT BE DISCLOSED FOR ANY PURPOSE NOR USED FOR MANUFACTURING PURPOSES WITHOUT THE WRITTEN PERMISSION OF ALIGN PRODUCTION SYSTEMS LLC.

TOTAL WT.	SHEET
633.74 lbs	1 OF 1



2230 Brush College Rd  
 Decatur, IL 62526  
 www.alignproductionssystem.com  
 sales@alignprod.com  
 Phone: 217.423.6001

TITLE Pnuematic Tilt Table / Non-Invasive / 4000 lb Capacity / 52" x 50" Top / 30 Degree Tilt

SIZE	SCALE	DRAWING NO.	REV.
A	1:24	ST026-5850	-

4

3

2

1

D

D

C

C

B

B

A

A