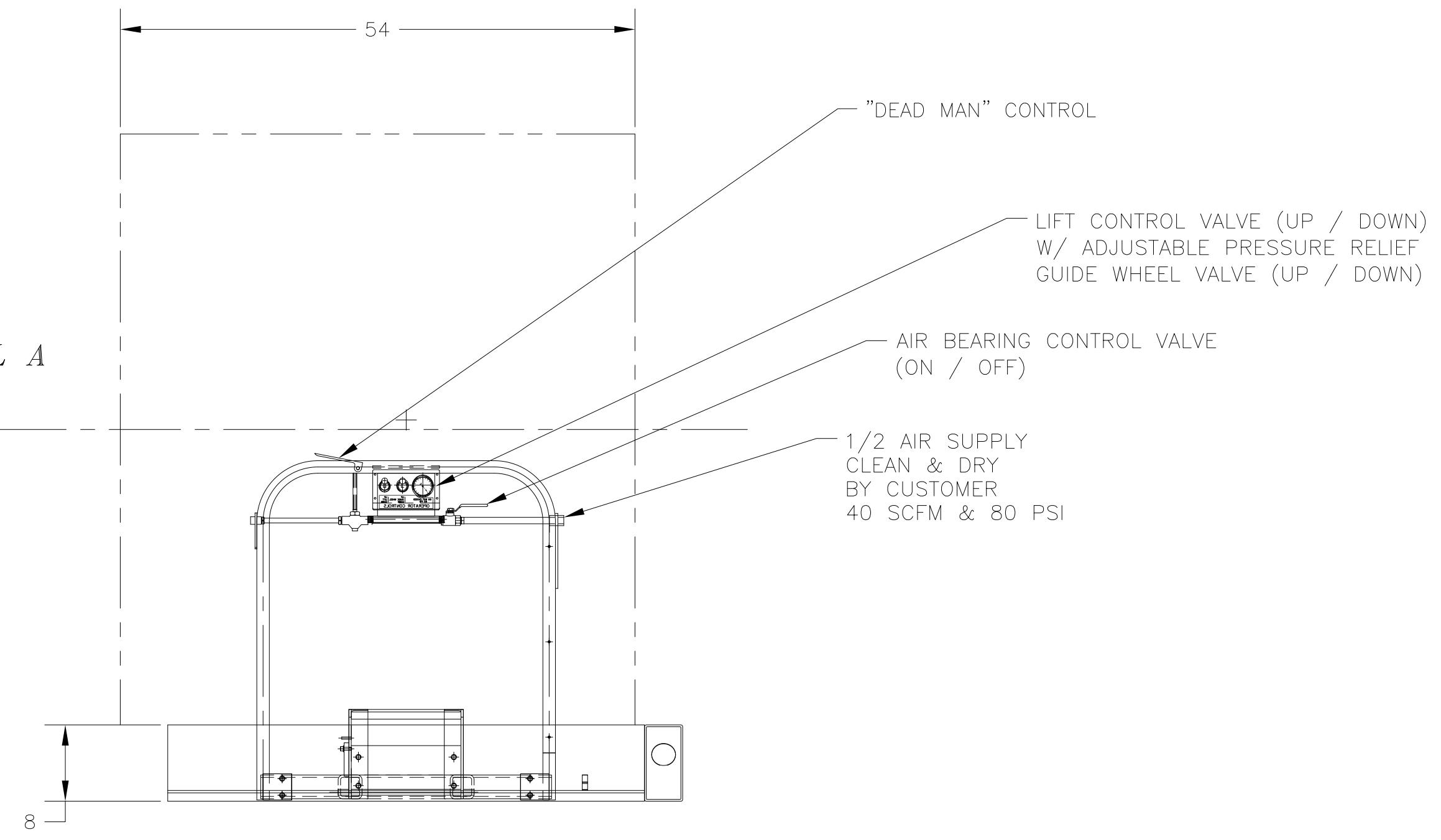
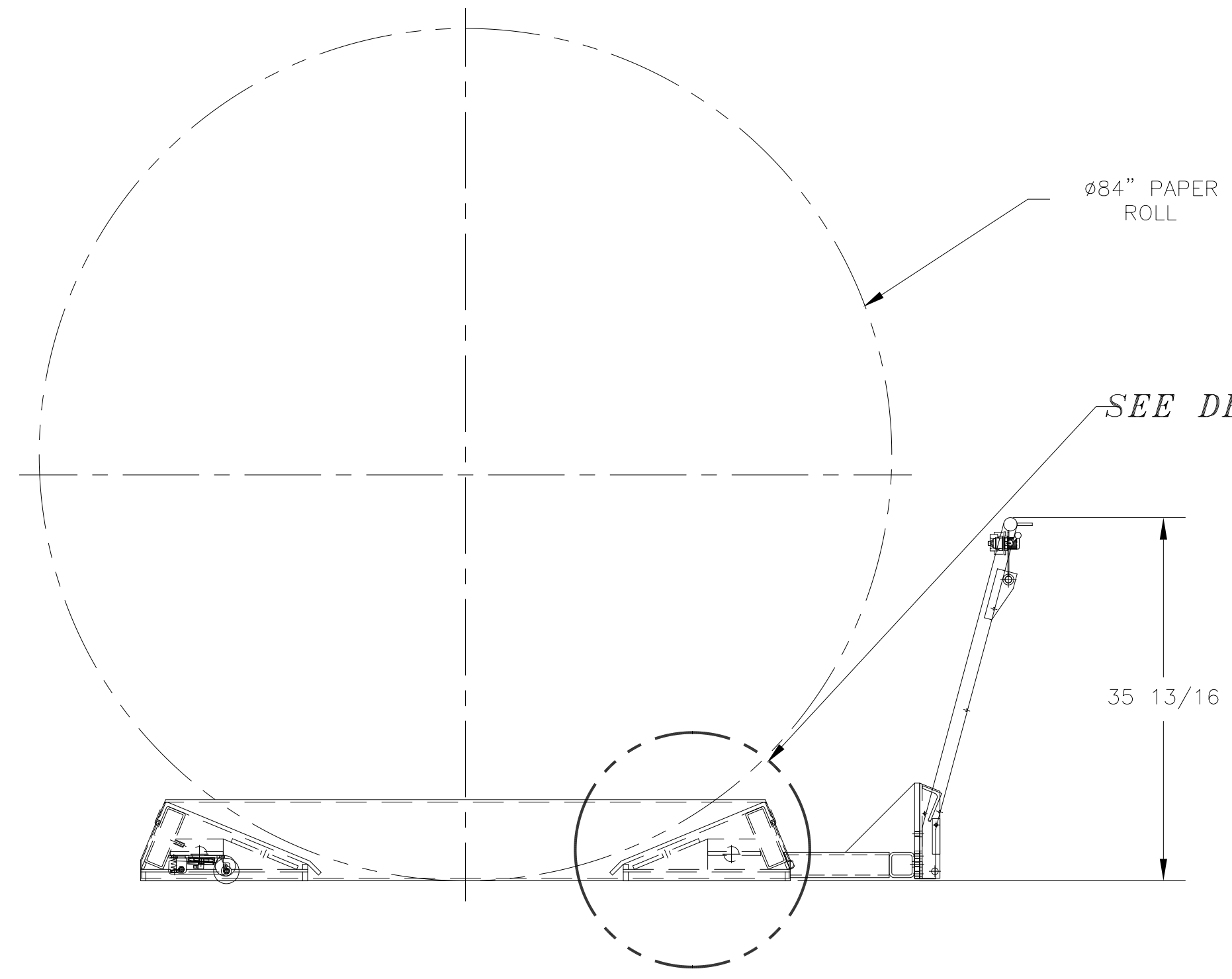
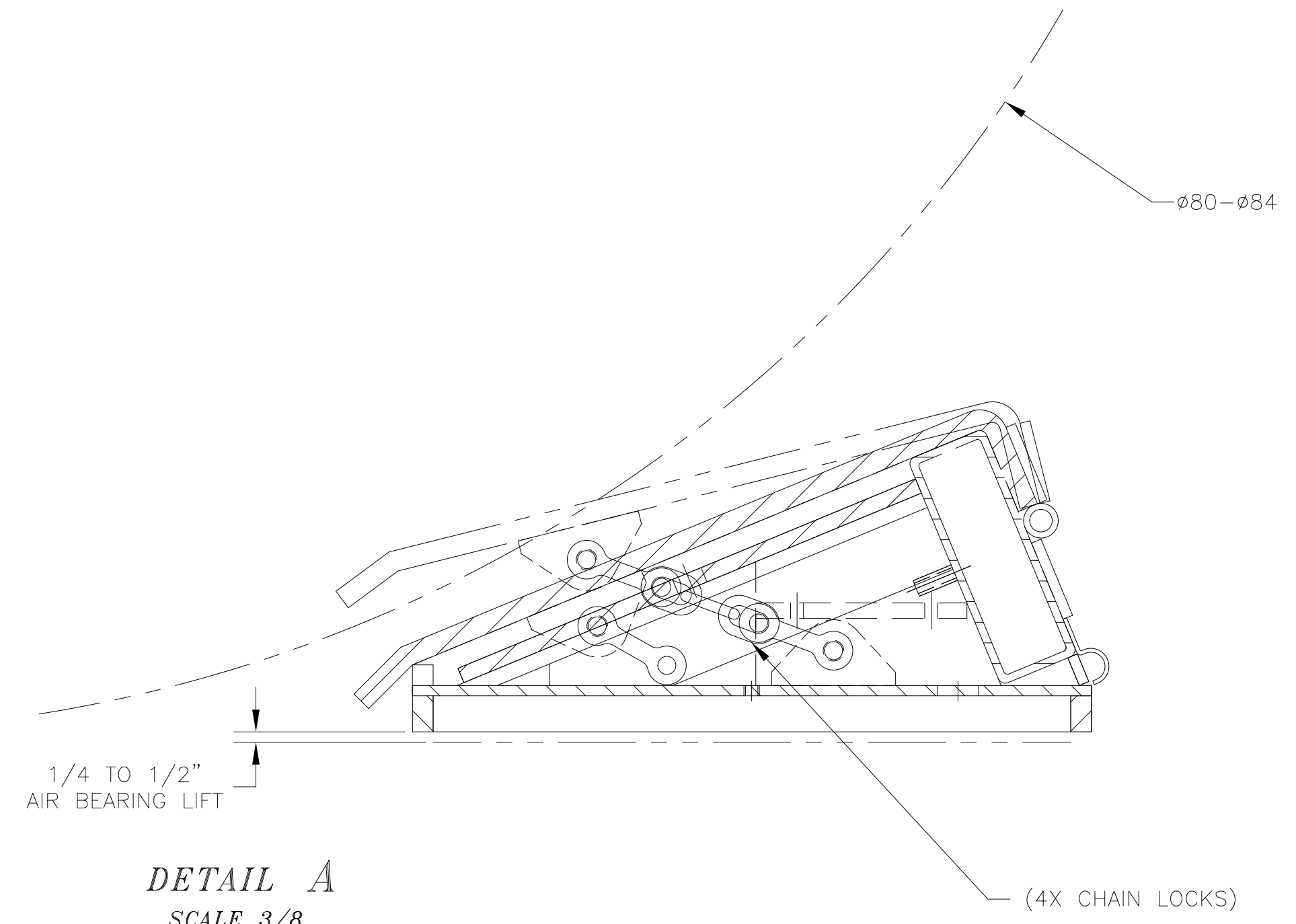
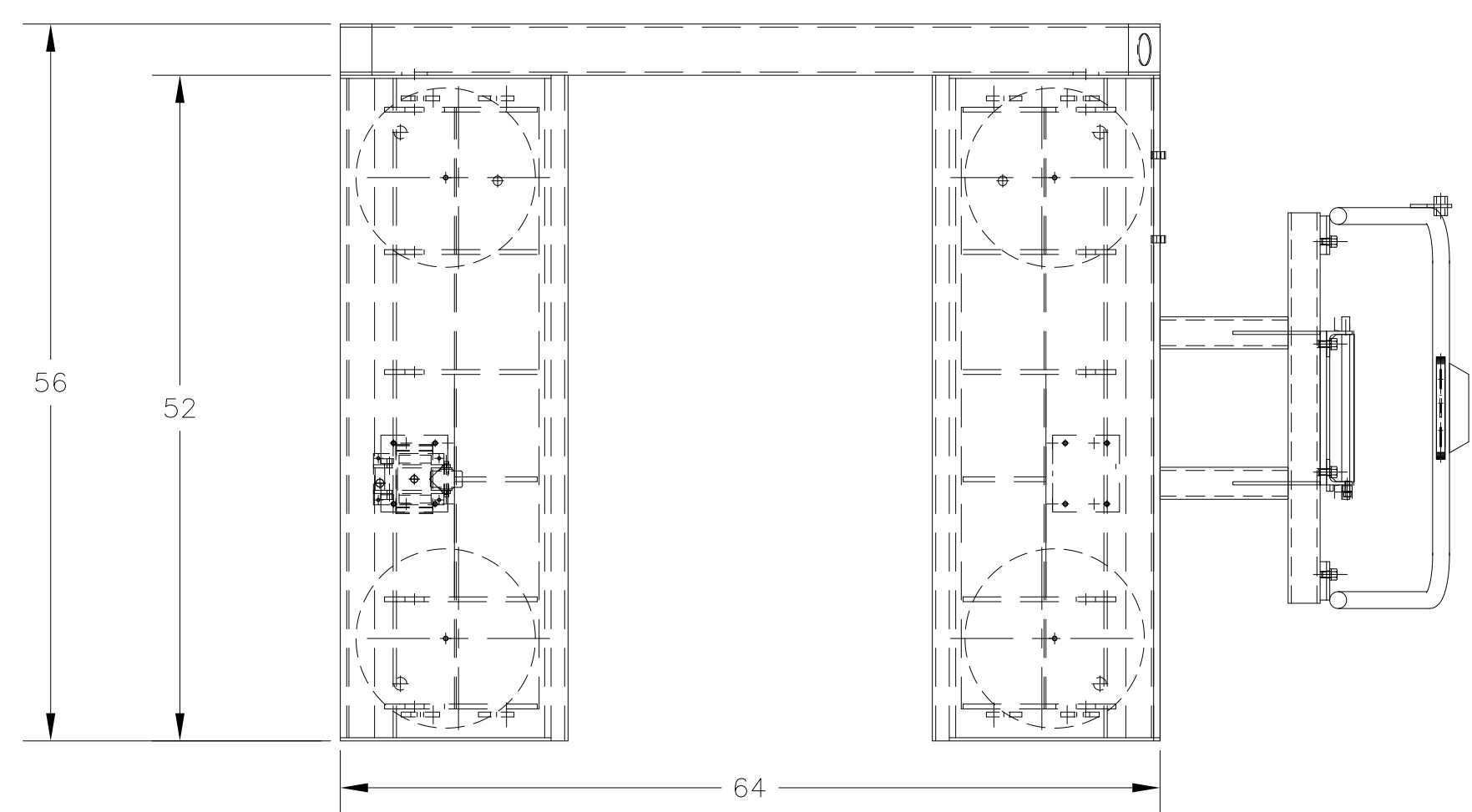


REVISIONS				
ZONE	REV	DESCRIPTION	DATE	REV. BY



SPECS:
 - CAPACITY: 8,000 LBS
 - AIR REQUIREMENTS: 40 SCFM & 80 PSI
 - AIR INLET: 1/2" NPT

QTY REQD.	SYM.	PART OR IDENTIFYING NO.	NOMENCLATURE OR DESCRIPTION	MATERIAL SPECIFICATION	WIDTH	LGTH.	ROUTING	WT.
PARTS LIST								
UNLESS OTHERWISE SPECIFIED DIMENSIONS ARE IN INCHES TOLERANCES ARE:			CONTRACT NO.		<div style="display: flex; align-items: center;"> <div> <p>AIRFLOAT LLC 2330 Brush College Rd. Decatur, Illinois 62526 Phone: 217-423-6001 Fax: 217-422-1049</p> </div> </div>			
FRACTIONS ± 1/16 ANGULAR ± 1° DO NOT SCALE DRAWING			APPROVALS DATE					
DECIMALS .XX ± .03 .XXX ± .010			DRAWN RDB 1/9/19		TITLE FIXED PAPER ROLL TRANSPORTER			
FINISH			CHECKED		ENGR			
SIMILAR TO D22-0015			DESIGN ACTIVITY		SIZE D CAGE CODE 50180		DWG. NO. FIXED PAPER ROLL TRANSPORTER REV. -	
QUANTITY			QUALITY AS.		SCALE 1/12		TOTAL WT. 944 LBS. SHEET	

THIS DRAWING CONTAINS INFORMATION PROPRIETARY TO AIRFLOAT LLC AND SHALL NOT BE DISCLOSED FOR ANY PURPOSE NOR USED FOR MANUFACTURING PURPOSES WITHOUT THE WRITTEN PERMISSION OF AIRFLOAT LLC.