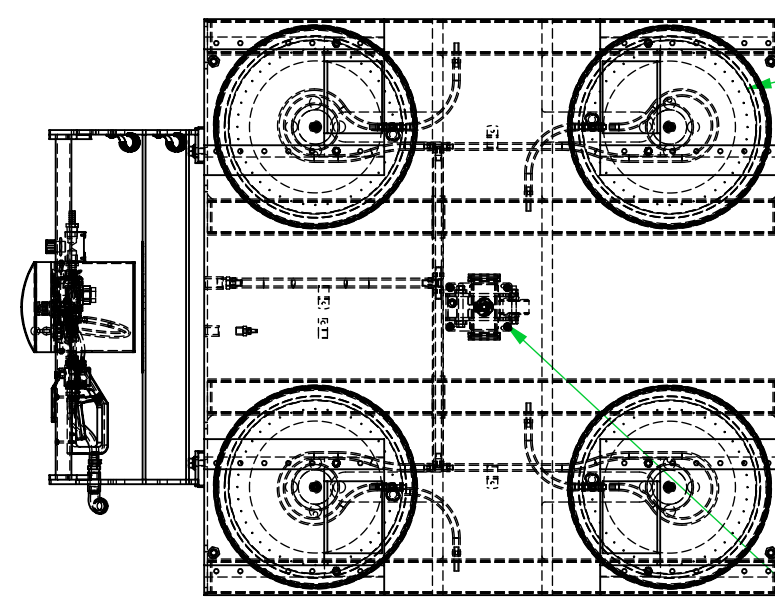


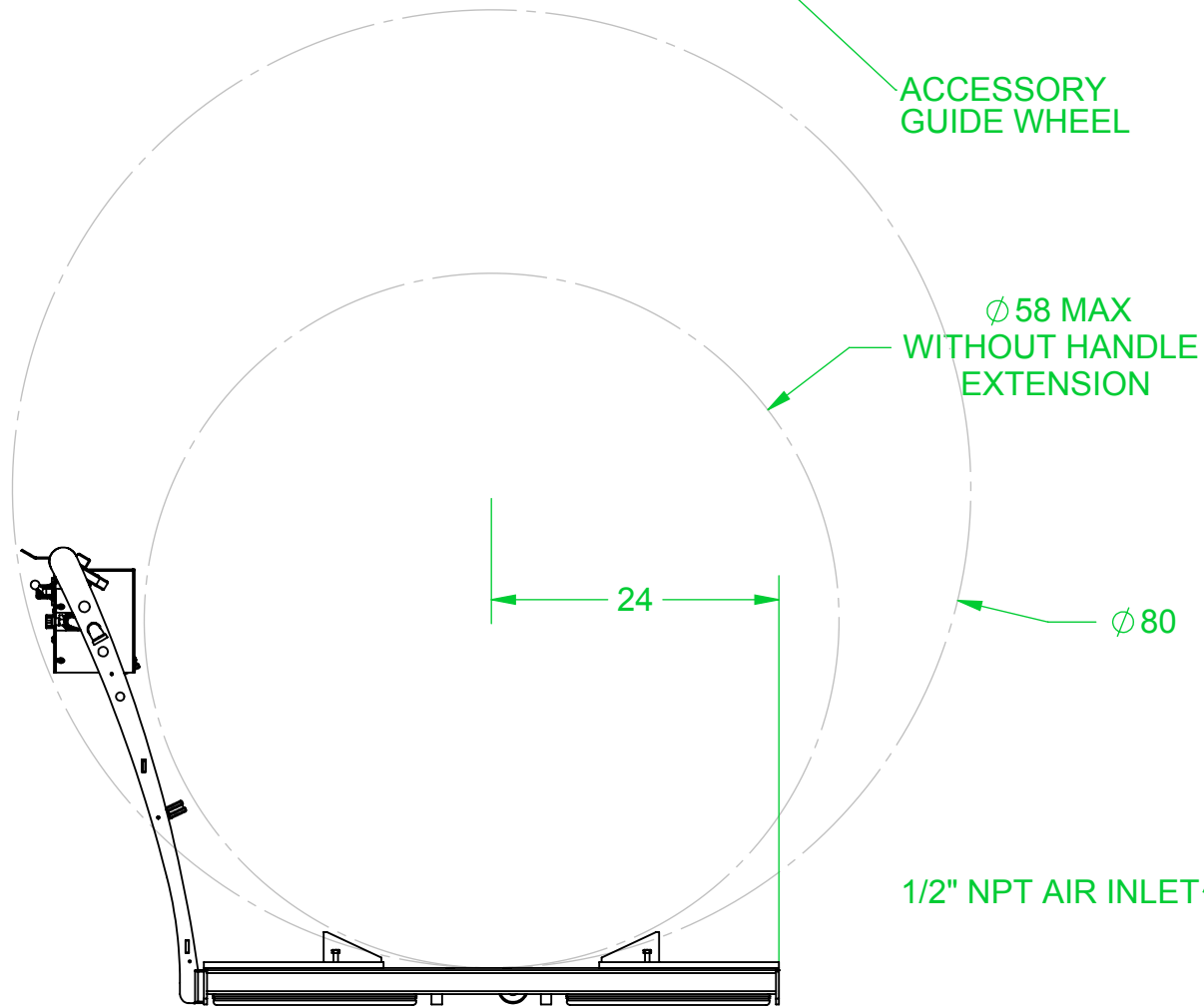
REVISIONS				
ZONE	REV.	DESCRIPTION	DATE	REV. BY



4X
AIR BEARINGS

B
WIDTH

ACCESSORY
GUIDE WHEEL



Ø 58 MAX
WITHOUT HANDLE
EXTENSION

24

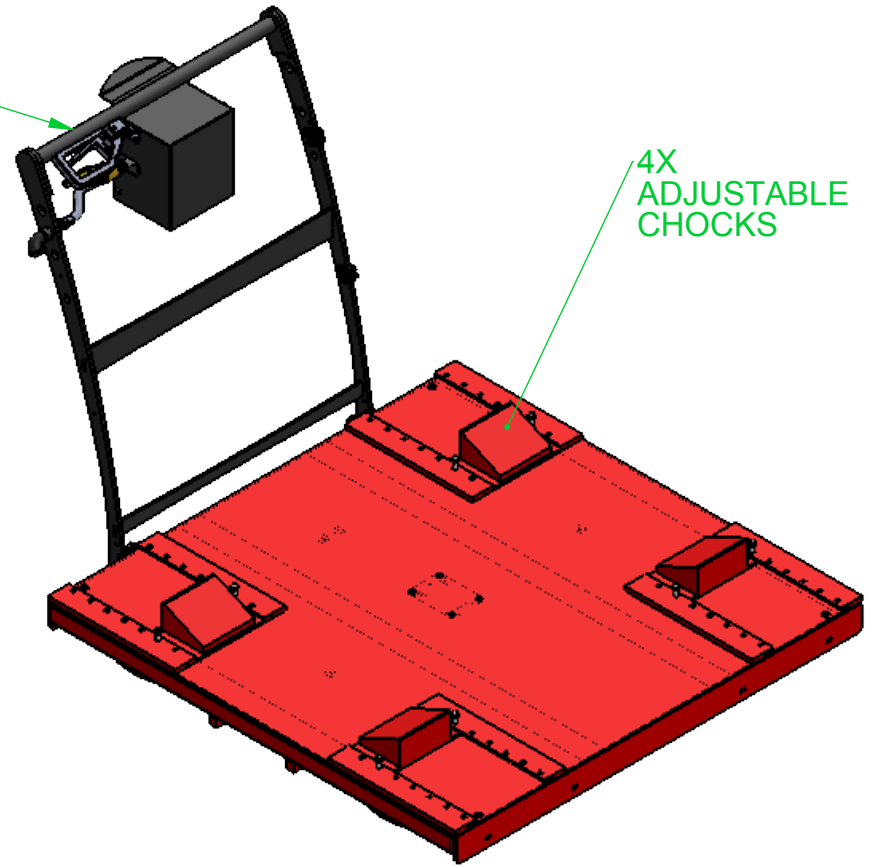
Ø 80

1/2" NPT AIR INLET

A
LENGTH

ACCESSORY
HANDLE

4X
ADJUSTABLE
CHOCKS



DEADMAN VALVE
(ON/OFF CONTROL)

38 3/16

- SPECS:**
- CAPACITY: 10,000 LBS
 - DOWN HEIGHT: 3"
 - AIR REQUIREMENTS: 80 PSI & 48 SCFM
 - AIR INLET: 1/2" NPT

DISCARD ALL DRAWINGS AND/OR
BILL OF MATERIALS ISSUED PRIOR TO

1/8/2019

USE PRINT WITH THE LATEST DATE
FOR PRODUCTION

ENGR. APPROVAL _____

UNLESS OTHERWISE SPECIFIED DIMENSIONS ARE IN INCHES TOLERANCES ARE: FRACTIONS: ± 1/16 DECIMALS: .X ± .06 ANGULAR: ± 1° .XX ± .02 .XXX ± .005 DO NOT SCALE DRAWINGS	WORK ORDER #	ROUTING A			2230 Brush College Rd Decatur, IL 62526 www.alignproductionssystem.com sales@alignprod.com Phone: 217.423.6001
	DRAWN	RDB	1/8/19	TITLE PLANK PAPER ROLL TRANSPORTER	
TOTAL WT. 380 lbs	SHEET 1 OF 1	SIZE B	SCALE 1:16	DRAWING NO. PLANK PAPER ROLL TRANSPORTER	REV.