

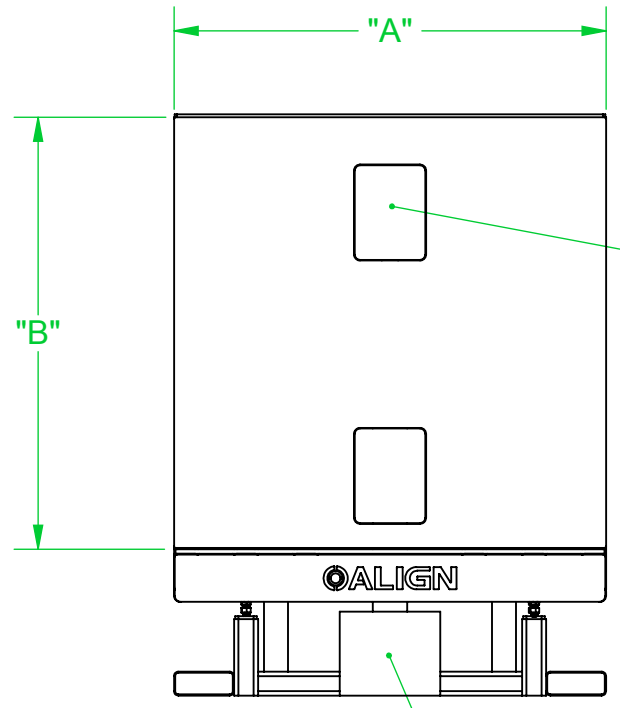
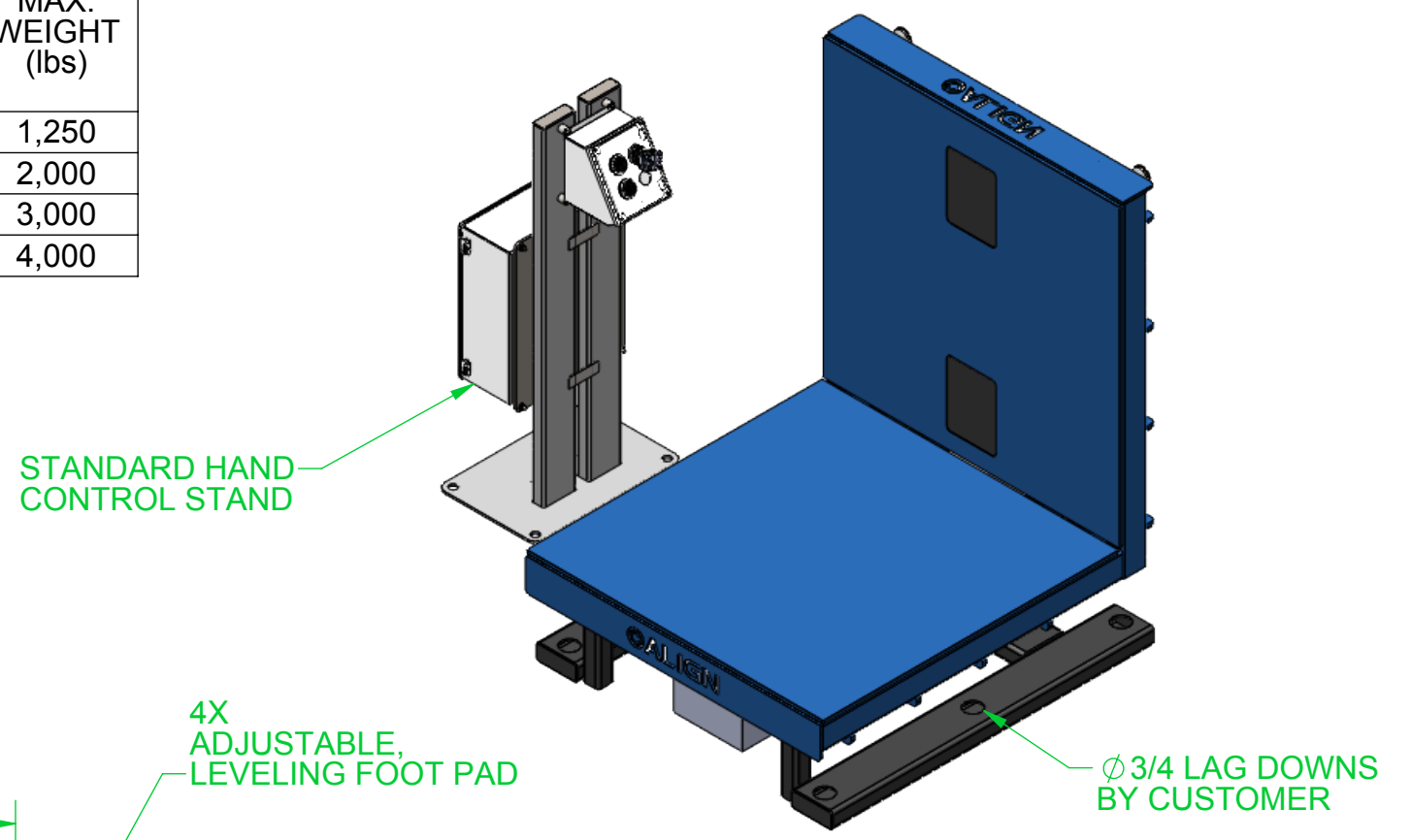
MODEL NUMBER	CAPACITY (lbs)	WIDTH DIM "A" (in)	LENGTH DIM "B" (in)	EXT. HEIGHT DIM "C" (in)	RET. HEIGHT DIM "D" (in)	EXT. FOOTPRINT DIM "E" (in)	CYCLE TIME (secs)	MAX. WEIGHT (lbs)
UE-90-03XXXX	3,000	96 - 36	96 - 36	6 - 12	12	2 x "B"	60	1,250
UE-90-06XXXX	6,000	120 - 48	120 - 36	8 - 14	14	2 x "B"	72	2,000
UE-90-09XXXX	9,000	120 - 60	120 - 36	10 - 16	16	2 x "B"	84	3,000
UE-90-12XXXX	12,000	120 - 60	120 - 48	10 - 18	18	2 x "B"	90	4,000

1: Length and Width sizes are available in 12 inch increments
 2: Model Number is based on Length and Width dimensions

FEATURES:

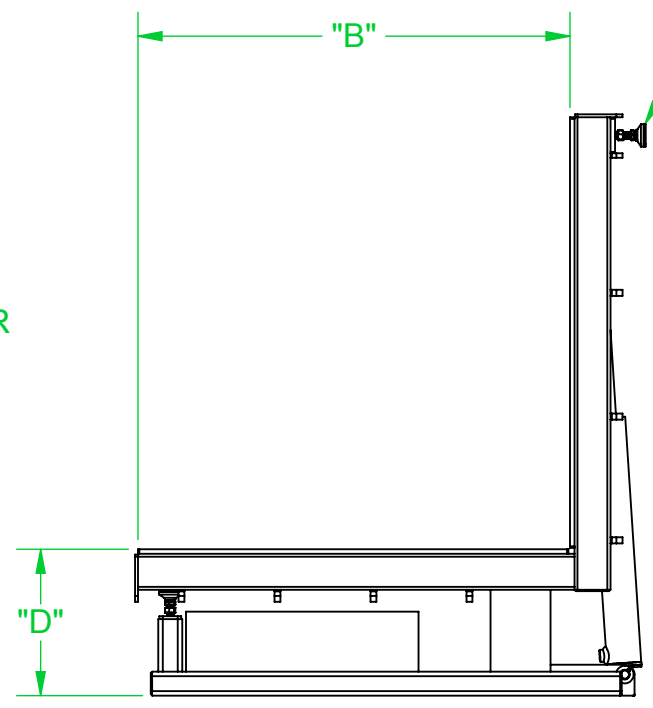
- **COUNTER-BALANCE VALVES:** Provides load-holding capability and run-away load prevention
- **VELOCITY FUSES:** Provides load-holding capability in the event of a hydraulic line failure
- **REMOVABLE FRAME PIVOT AND CYLINDER PINS:** Provides quick and easy removal for faster servicing and less down time
- **TIME SAVINGS:** Not only offers a safe method of flipping products, but also provides a substantial decrease in time over alternative methods
- **ADDITIONAL OPTIONS:** Additional options include foot controller, PLC operation, visual and audible alarms, safety scanners, safety barriers, and one-touch operation

REVISIONS				
ZONE	REV.	DESCRIPTION	DATE	REV. BY

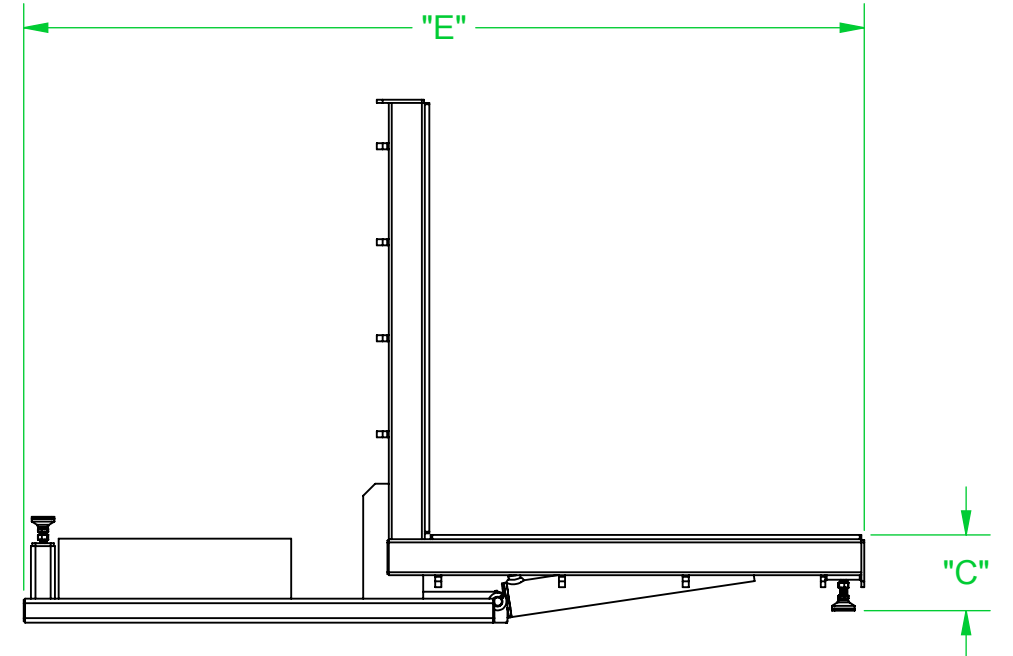


2X REMOVABLE ACCESS COVER

HYDRAULIC POWER UNIT



4X ADJUSTABLE, LEVELING FOOT PAD



NOTE: DIMENSIONS ARE FOR REFERENCE ONLY, TOLERANCE BLOCK DOES NOT APPLY

DISCARD ALL DRAWINGS AND/OR BILL OF MATERIALS ISSUED PRIOR TO
12/28/2018
 USE PRINT WITH THE LATEST DATE FOR PRODUCTION
 ENGR. APPROVAL _____

UNLESS OTHERWISE SPECIFIED DIMENSIONS ARE IN INCHES TOLERANCES ARE:		WORK ORDER #	ROUTING		2230 Brush College Rd Decatur, IL 62526 www.alignproductionssystem.com sales@alignprod.com Phone: 217.423.6001	
FRACTIONS: ± 1/16	DECIMALS: .X ± .06	DRAWN	BME		12/27/2018	TITLE
ANGULAR: ± 1°	.XX ± .02	THIS DRAWING CONTAINS INFORMATION PROPRIETARY TO ALIGN PRODUCTION SYSTEMS LLC AND SHALL NOT BE DISCLOSED FOR ANY PURPOSE NOR USED FOR MANUFACTURING PURPOSES WITHOUT THE WRITTEN PERMISSION OF ALIGN PRODUCTION SYSTEMS LLC.			0° TO 90° HYDRAULIC UPENDER ASSEMBLY (SALES)	
DO NOT SCALE DRAWINGS	.XXX ± .005	TOTAL WT. SEE CHART	SHEET 1 OF 1	SIZE B	SCALE 1:16	DRAWING NO. UE-90-XXXXXX
				REV.	-	