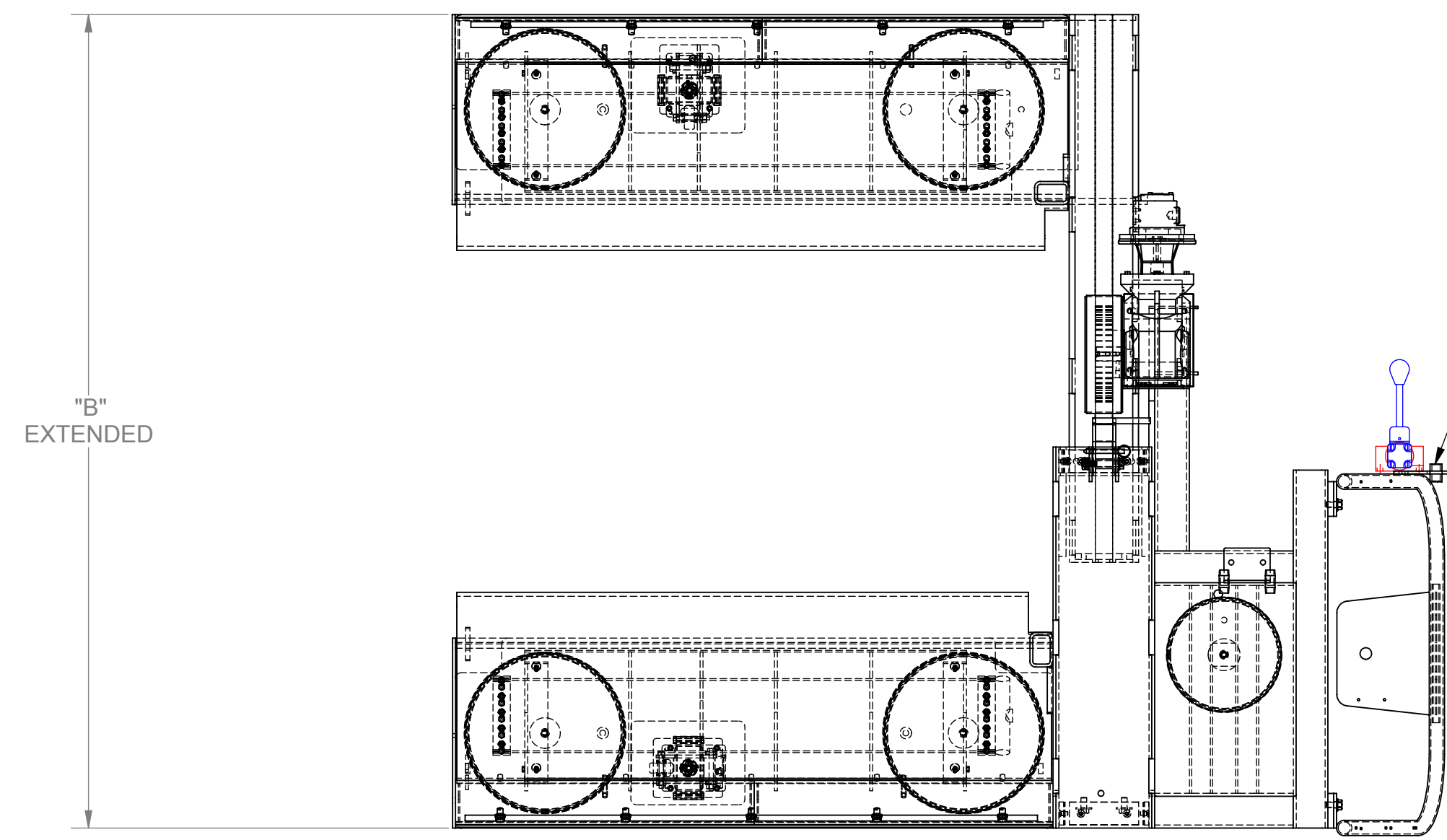


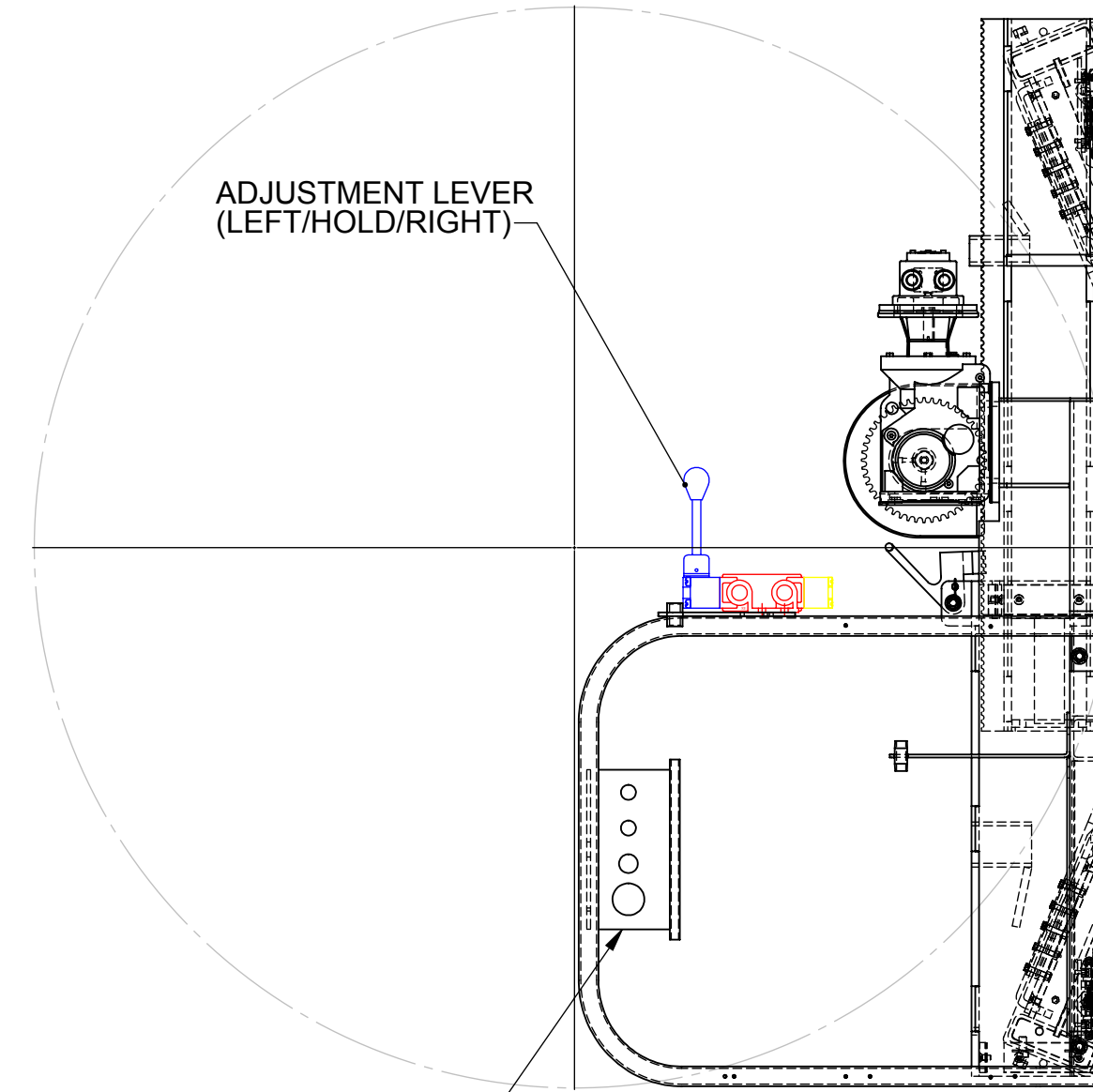
REVISIONS				
ZONE	REV.	DESCRIPTION	DATE	REV. BY
	1			



"B"
EXTENDED

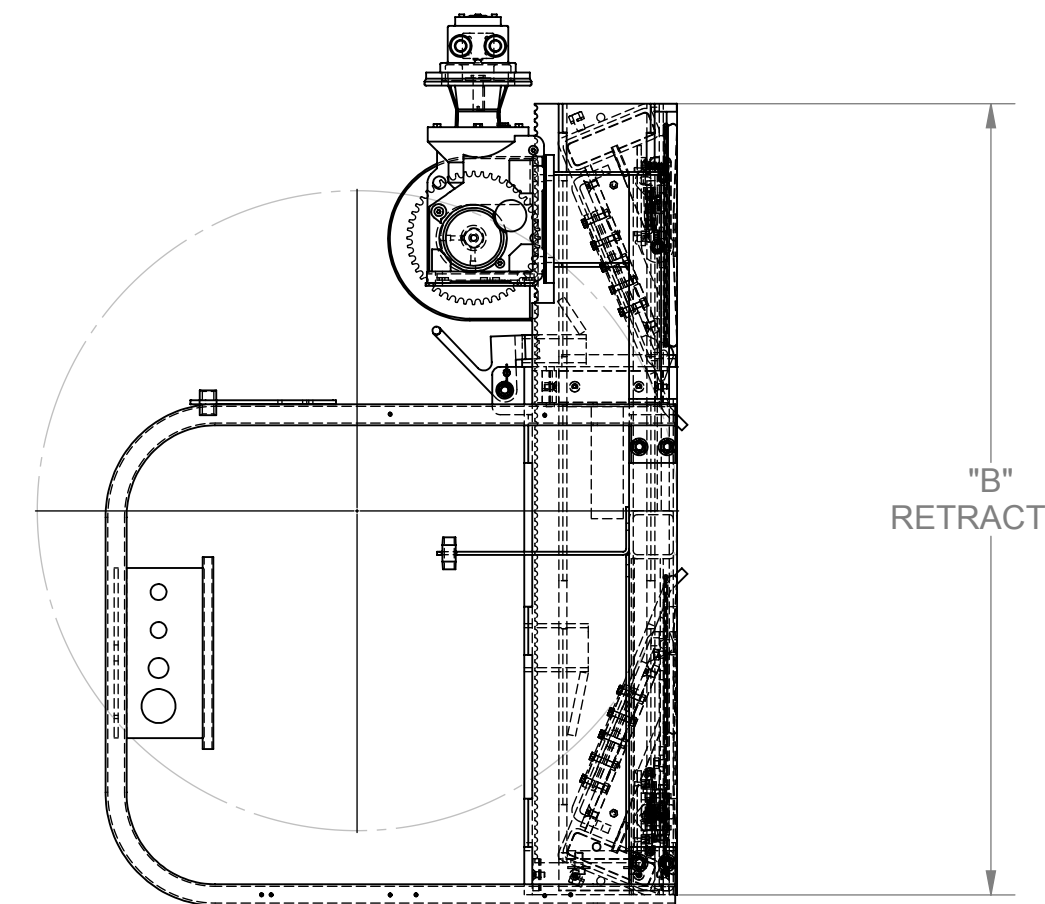
EXPANDED TOP VIEW

1/2 AIR SUPPLY
BY CUSTOMER
CLEAN & DRY

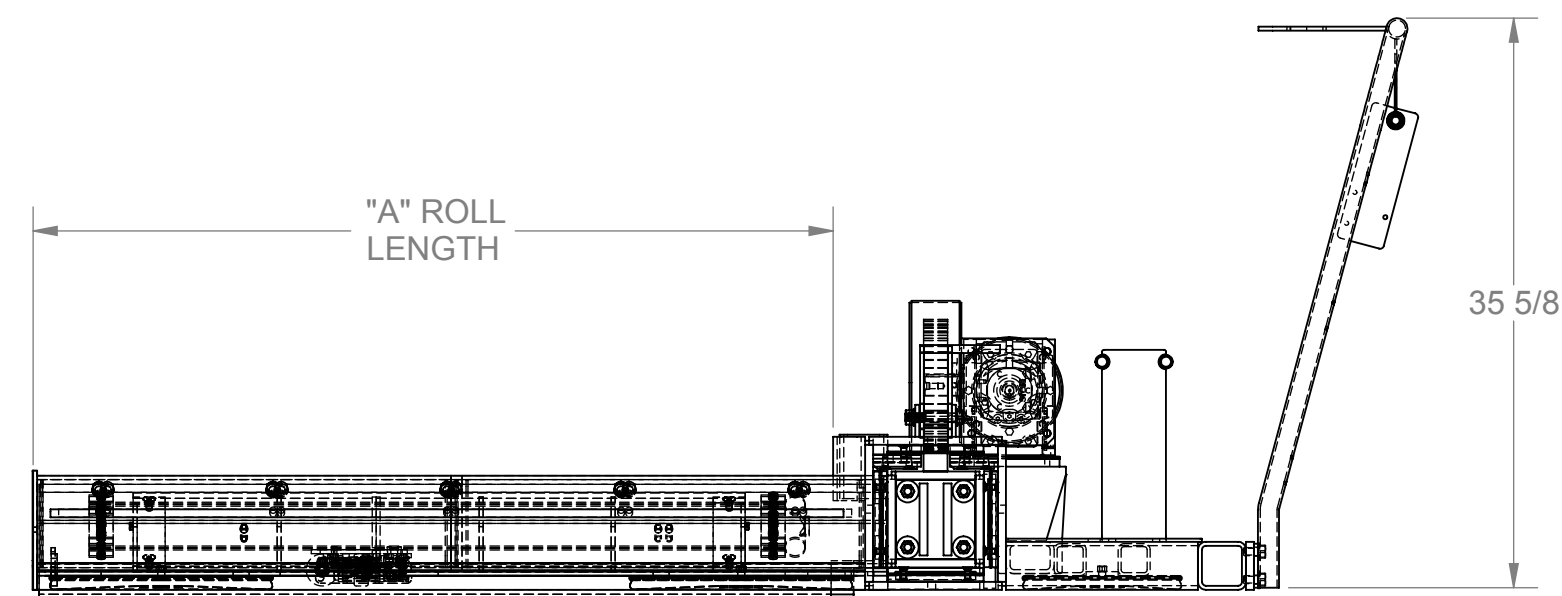
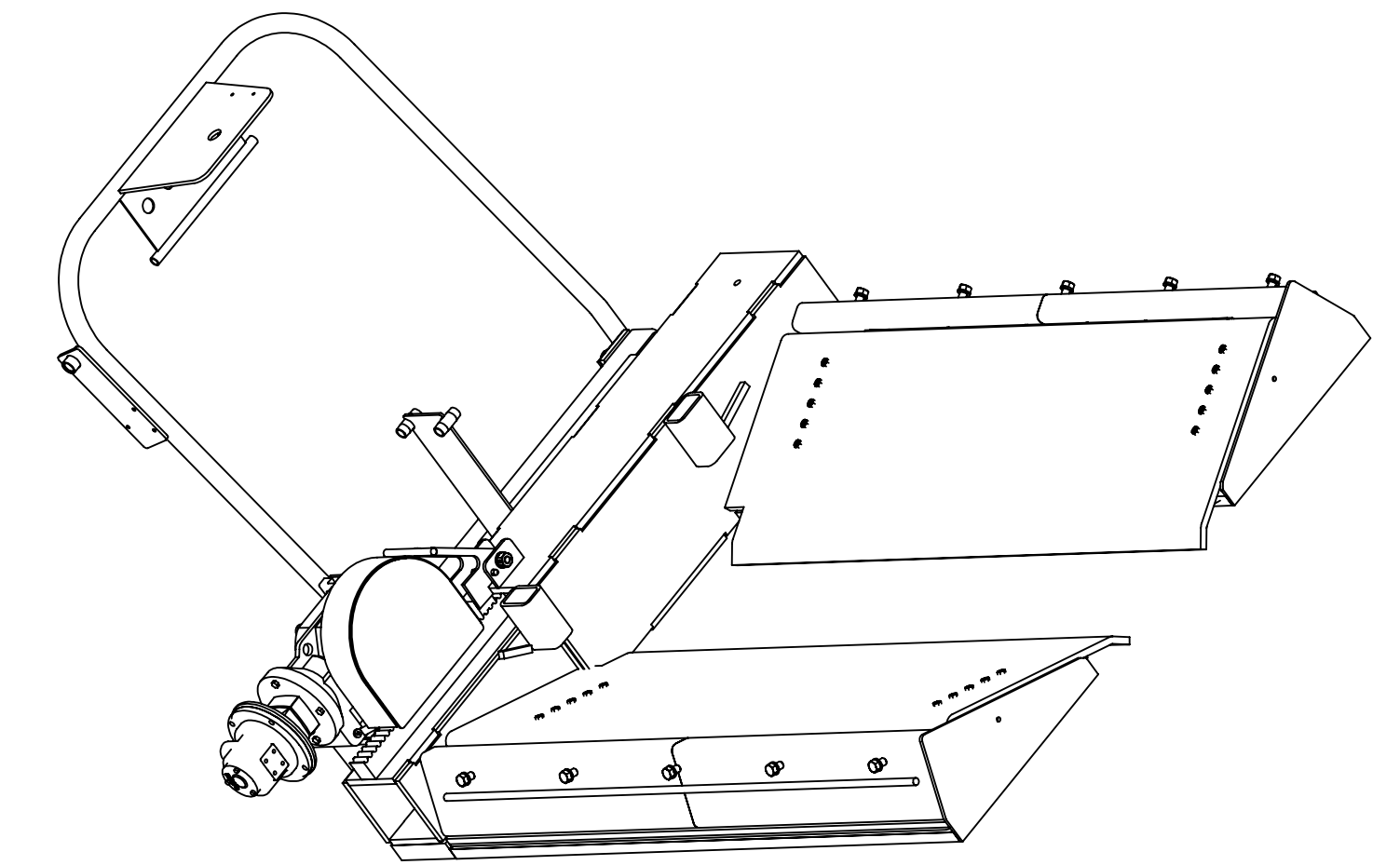


ADJUSTMENT LEVER
(LEFT/HOLD/RIGHT)

AIR BEARING CONTROL
(ON / OFF)
LIFT CONTROL
(UP / HOLD / DOWN)
GUIDE WHEEL CONTROL
(UP / DOWN)



"B"
RETRACTED



"A" ROLL
LENGTH

35 5/8

OPERATION PROCEDURE:


1. TURN ON AIR BEARINGS SO TRANSPORTER FLOATS.
2. MOVE TRANSPOTER AROUND ROLL.
3. ACTUATE ADJUSTMENT LEVER TO POWER SKIDS AGAINST ROLL.
4. ACTUATE LIFT CONTROL LEVER TO RAISE ROLL.
5. INCREASE AIR FLOW TO AIR BEARINGS AND VERIFY ROLL AND TRANSPORTER ARE RAISED OFF FLOOR.
8. ROLL CAN NOW BE MANUALLY MOVED.

SPECS:
CAPACITY: 5,000 LBS
AIR REQUIREMENTS: 80 PSI & 80 SCFM MIN.
AIR INLET: 1/2" NPT

DISCARD ALL DRAWINGS AND/OR
BILL OF MATERIALS ISSUED PRIOR TO
1/31/2019
USE PRINT WITH THE LATEST DATE
FOR PRODUCTION
ENGR. APPROVAL _____

UNLESS OTHERWISE SPECIFIED DIMENSIONS ARE IN INCHES		WORK ORDER #	ROUTING	2230 Brush College Rd Decorah, IA 52008 www.alignproduction.com sales@alignprod.com Phone: 319.403.9001	
TOLERANCES ARE:		DRAWN	ROB	1/8/19	TITLE ADJUSTABLE ROLL HANDLER TRANSPORTER
FRACTIONS:	DECIMALS:	THIS DRAWING CONTAINS INFORMATION PROPRIETARY TO ALIGN PRODUCTION SYSTEMS, LLC AND SHALL NOT BE DISCLOSED FOR ANY PURPOSE NOR USED FOR MANUFACTURING PURPOSES WITHOUT THE WRITTEN PERMISSION OF ALIGN PRODUCTION SYSTEMS, LLC.			
± 1/16	.X ± .06	TOTAL WT.			SIZE
ANGULAR:	XX ± .02	1257.96 lbs	SHEET	1 OF 2	SCALE
± 1°	XXX ± .005	DO NOT SCALE DRAWINGS			DRAWING NO.
			AF083 ADJUSTABLE ROLL TRANSPORTER		

COLLAPSED TOP VIEW

UNLESS OTHERWISE SPECIFIED DIMENSIONS ARE IN INCHES TOLERANCES ARE: FRACTIONS: ± 1/16 DECIMALS: .XX ± .03 ANGULAR: ± 1° DO NOT SCALE DRAWINGS	WORK ORDER #	 2230 Bush College Rd Deerfield, IL 60015 www.airfloat.com sales@airfloat.com Phone: 217.423.6001				
	DRAWN: RDB DATE: 1/9/19		TITLE: ADJUSTABLE ROLL HANDLER TRANSPORTER			
	TOTAL WT. 1257.96 lbs	SHEET 2 OF 2	SIZE D	SCALE	DRAWN: RDB	REV